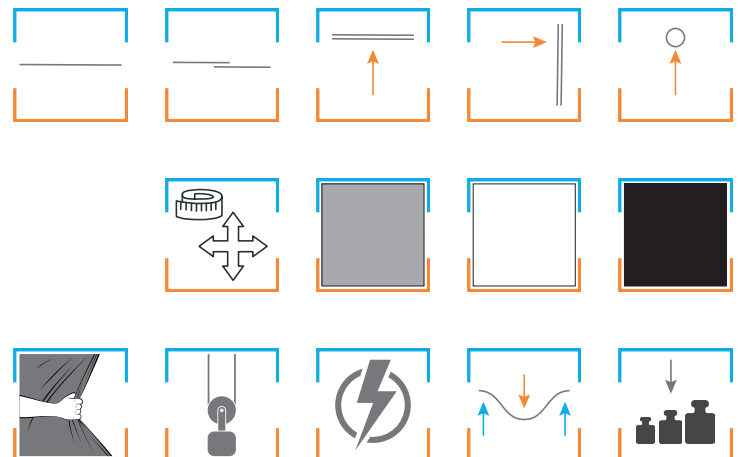
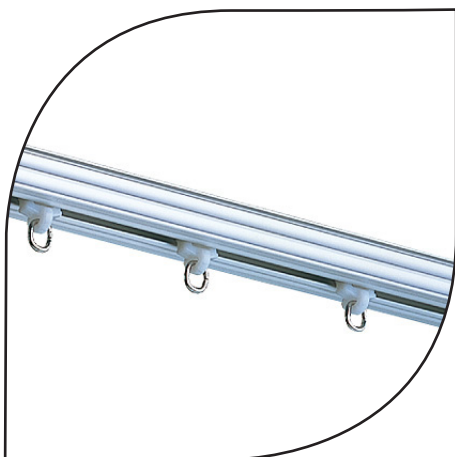


» Versatile shapeable and motorisable track for stage and interior fittings



CHARACTERISTICS

Name S-Track **Ref** R2132

Operations

- » Walk-along
- » Manual cord pull
- » Motorised

Assemblies

- » Single track for 1 or 2 curtains
- » Double track with overlap

Types of mounting

- » Ceiling (direct installation with a drilled profile, or via mounting brackets)
- » Wall (via mounting brackets)
- » Under pole Ø 50 mm (via collars or hooks)

Colours

- » Anodised aluminium
- » White lacquered
- » Black lacquered

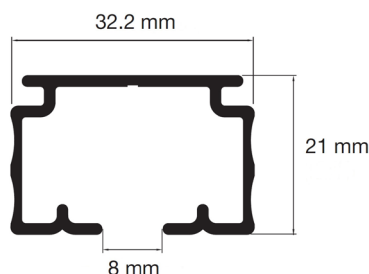
Specifications

- » Lightweight and robust (aluminium profile)
- » Shapeable (all operations) - Minimum radius:
 - > Manual cord pull: 300 mm
 - > Motorised: 500 mm
- » Smooth, silent operation
- » Strong resistance to sun and heat (anti-UV treatment of runners and carriers)
- » Neat and elegant design

Uses

- » Hanging curtains and medium-weight loads
- » All functional and decorative applications (stage spaces, cinemas, reception rooms, museums, offices, hotels, restaurants, etc.)

DIMENSIONS



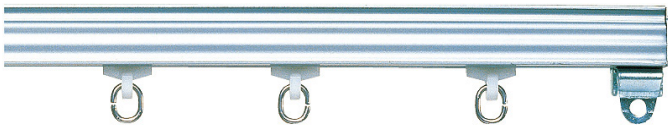
Track cross-section 1

APPEARANCE



» *Anodised aluminium colour profile*

» *White lacquered colour profile*



» *Standard runner*

» *Swivel ring runner*

» *Swivel hook runner*



CONTACT OUR EXPORT TEAM

+33 (0)6 23 21 50 28



export@azur-scenic.com

The information in this document provides generic values that describe only the standard technical specifications and chemical composition of the products concerned. No guarantee is offered. Any images are non-contractual. The names of the colours are given for information purposes only and do not guarantee a specific colour.