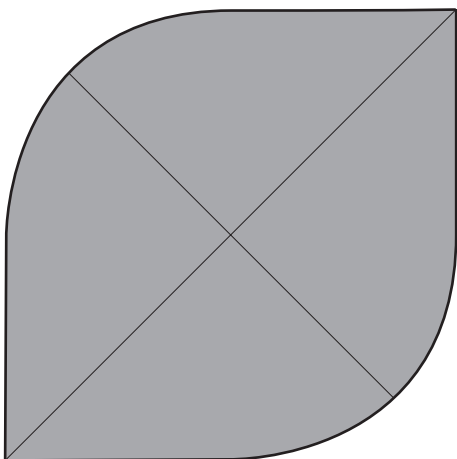


» Walk-along track capable of supporting **heavy loads**



# CHARACTERISTICS

**Name** Easy Track **Ref** R2812

**Operation** » Walk-along

**Assemblies** » Single track, double track or track with central overlap  
» Straight or bent track

**Types of mounting** » Ceiling (via ceiling bracket)  
» Wall (via brackets)  
» Under pole  $\varnothing$  50 mm (via collars or hooks)  
» Recommended gap between brackets: 70 cm max

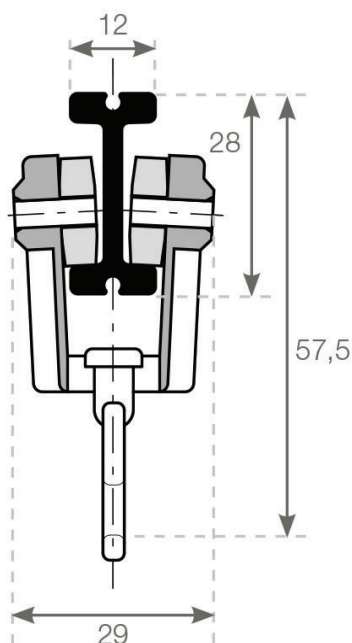
**Colours** » Profile and brackets: aluminium, white or black  
» Runners and stops: white or black

**Specifications** » Profile can be shaped directly on-site without special tools  
» Very robust (each runner can support a 5 kg load - max. total load 125 kg)  
» Easy installation using the connecting pins  
» Lightweight (aluminium profile)

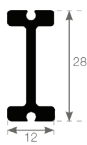

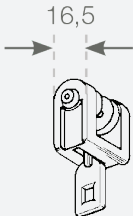

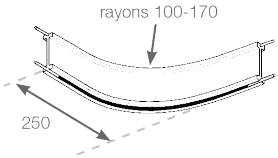

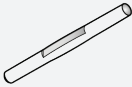

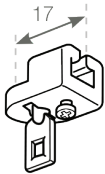

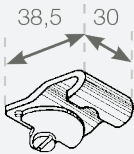

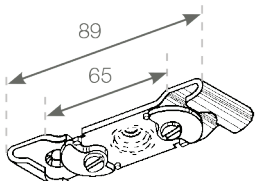

**Uses** » Hanging curtains and medium to heavy weight loads  
» All functional and decorative applications (stage spaces, cinemas, reception rooms, museums, offices, hotels, restaurants, etc.)

# DIMENSIONS

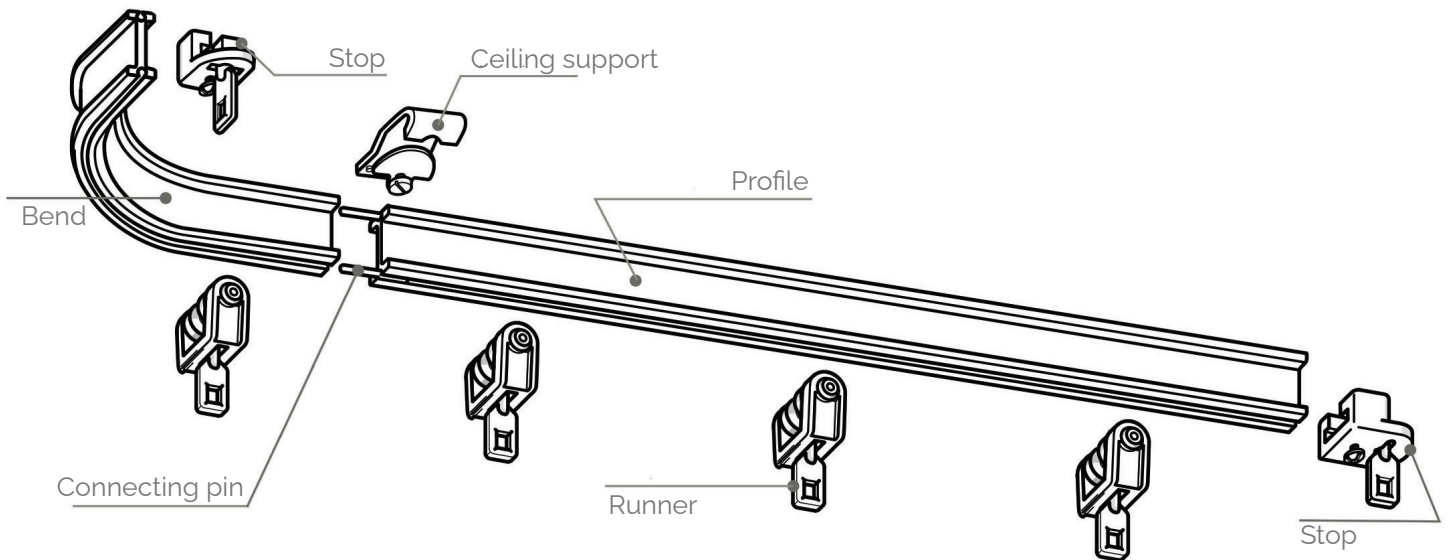
Profile and runner  
Scale 1:1



# COMPONENTS

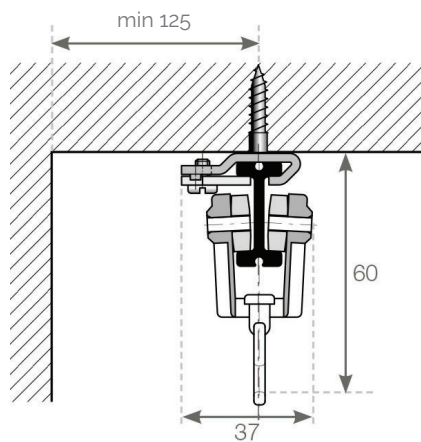
Name	Dimensions	Colours	Description
Profile			<ul style="list-style-type: none"> <li>» Extruded aluminium</li> <li>» Max. length without extension                             <ul style="list-style-type: none"> <li>&gt; 6 m (white)</li> <li>&gt; 5 m (black, aluminium)</li> </ul> </li> </ul>
Runner			<ul style="list-style-type: none"> <li>» Polyamide</li> <li>» Casters mounted on stainless steel axle</li> <li>» Removable swivel cleat</li> </ul>
Bend			<ul style="list-style-type: none"> <li>» Pre-shaped 90° bend</li> <li>» 100 or 170 mm radius</li> <li>» Aluminium</li> <li>» 4 connecting pins included</li> </ul>
Connecting pin			<ul style="list-style-type: none"> <li>» Stainless steel</li> <li>» 2 pins required for connection</li> </ul>
Stop			<ul style="list-style-type: none"> <li>» Polyamide</li> <li>» Fastened to each end of the track</li> <li>» Removable swivel cleat</li> </ul>
Single mounting			<ul style="list-style-type: none"> <li>» Aluminium</li> <li>» For ceiling or bracket installation</li> <li>» Screws in with 1 concealed fastening screw Ø 5 mm (screw not included)</li> </ul>
Dual mounting			<ul style="list-style-type: none"> <li>» Aluminium</li> <li>» For ceiling or bracket installation</li> <li>» Screws in with 1 or 2 fastening screws Ø 5 mm (screws not included)</li> </ul>

# ASSEMBLY

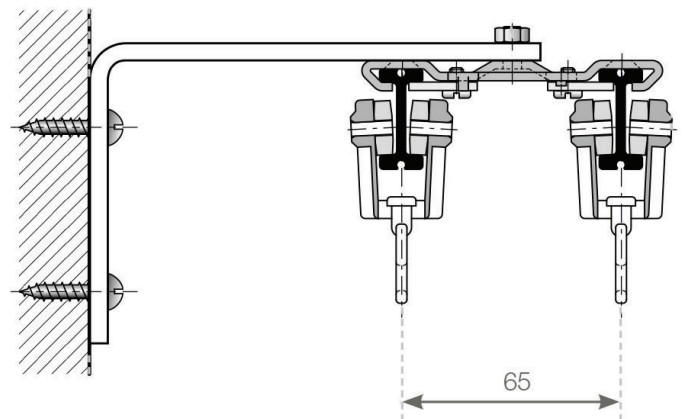


# SPACING

With single mounting



With dual mounting



CONTACT OUR EXPORT TEAM

+33 (0)6 23 21 50 28



[export@azur-scenic.com](mailto:export@azur-scenic.com)

The information in this document provides generic values that describe only the standard technical specifications and chemical composition of the products concerned. No guarantee is offered. Any images are non-contractual. The names of the colours are given for information purposes only and do not guarantee a specific colour.