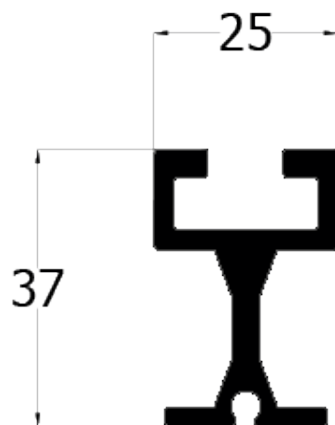


Versatile, high-precision stage curtain tracks, ideal for equipping stages of all types including concert halls, performance venues and amphitheatres **that use moderate loads** such as velvet stage curtains, sight screens and black-out curtains.

Strong, stylish, compact, and **silent** thanks to its bearing rollers, and with a high-quality **matte-black finish**, it's a perfectly unobtrusive addition to your performance spaces, including stages, function rooms, offices, museums, and more...

The **track can be curved** to order to fit perfectly into your performance space, even with the most original configuration.



Track cross-section 1

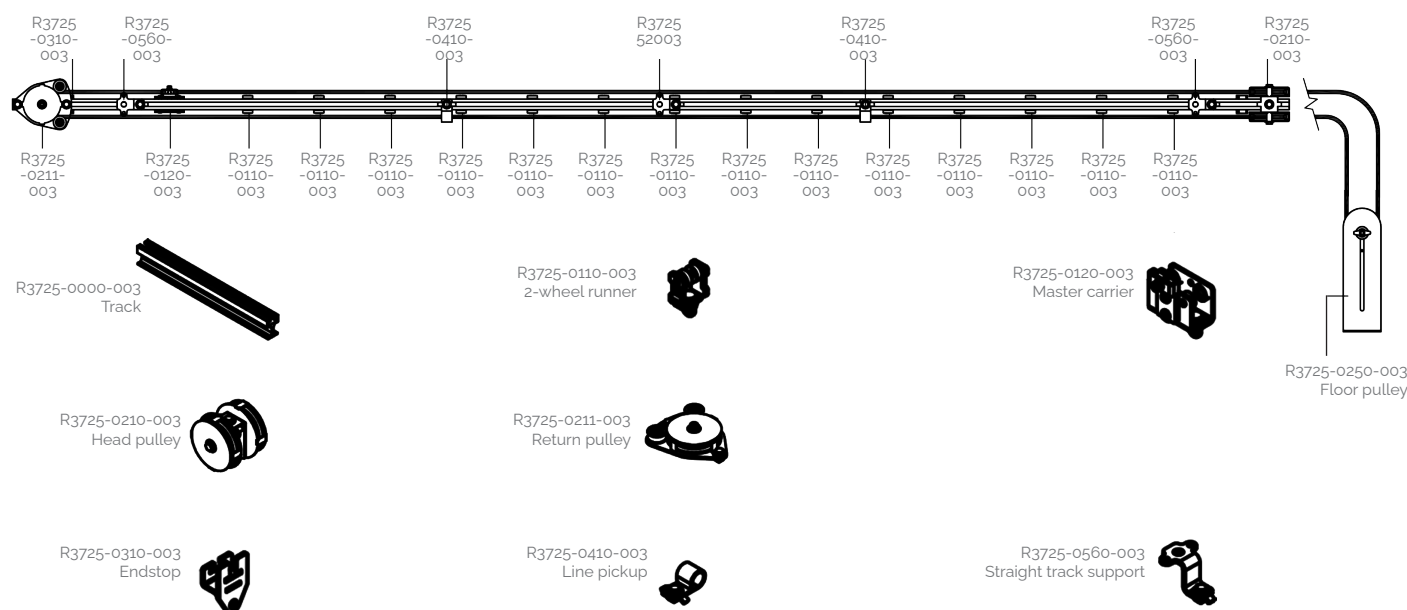
- Extruded aluminium track in **black**. Other RAL colours available to order.
- Can be operated in **walk-along** (without cord), **manual corded curtain pull** (polyester curtain cord Ø 8 mm) or **motorised** modes (Kevlar curtain cord Ø 8 mm).
- Installation of **curtain cord** in **upper** guide channel.
- Possibility of **shaping to-measure** (all activations) with minimum radius 500 mm.
- Installation in **single curtain tracks for 1 or 2 curtains** (central overlap approx. 30 cm) or on **double-track curtain rails** with overlap (standard central overlap 1 m, other overlaps available to order).
- Can be installed with **ceiling mountings**, **wall mountings** on brackets, and on **tubes** using collars (tube Ø 50 mm).

▶ Maximum permitted load (safety factor 5:1)

	At 1 m from anchor point
Uniform load distribution	70 kg

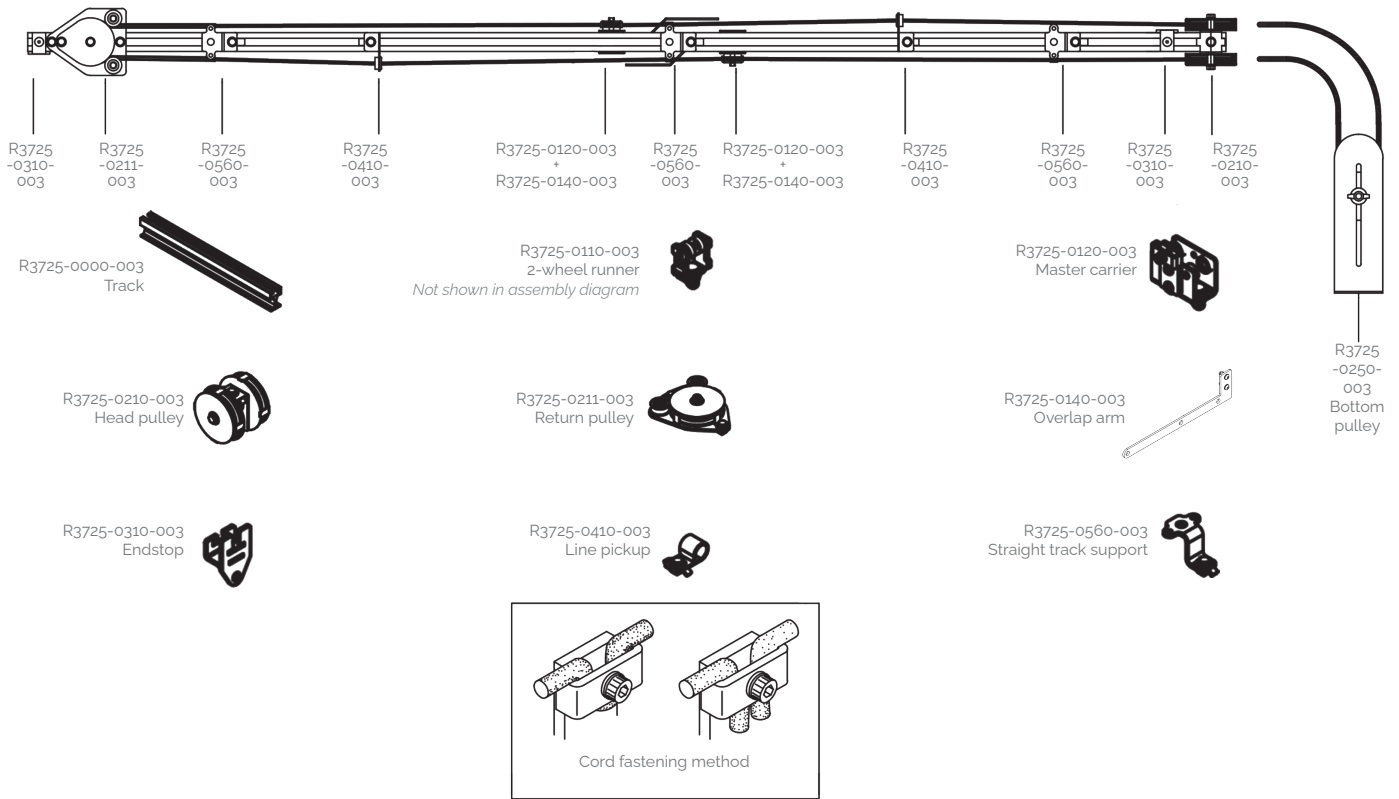
▶ Mounting options

▶ 1. Installation on straight single track for 1 curtain

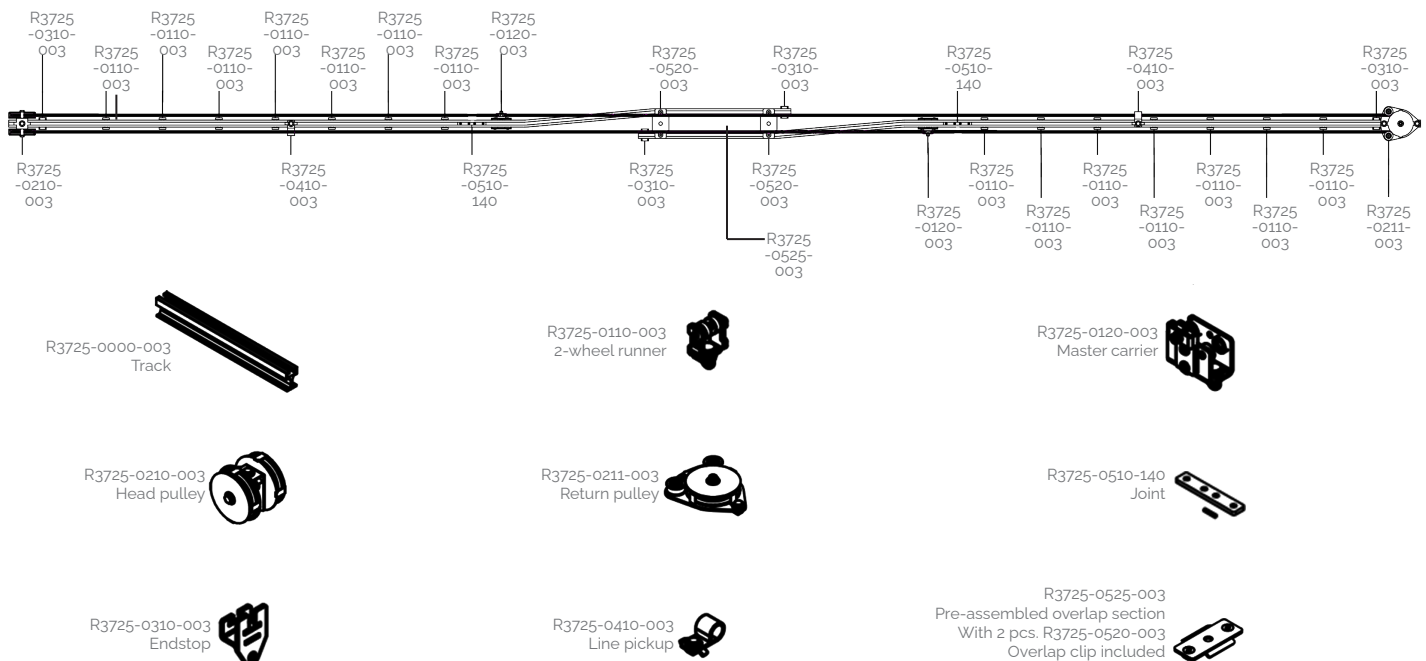


▶ Mounting options

▶ 2. Mounting on straight single track for 2 curtains (with overlap arm)

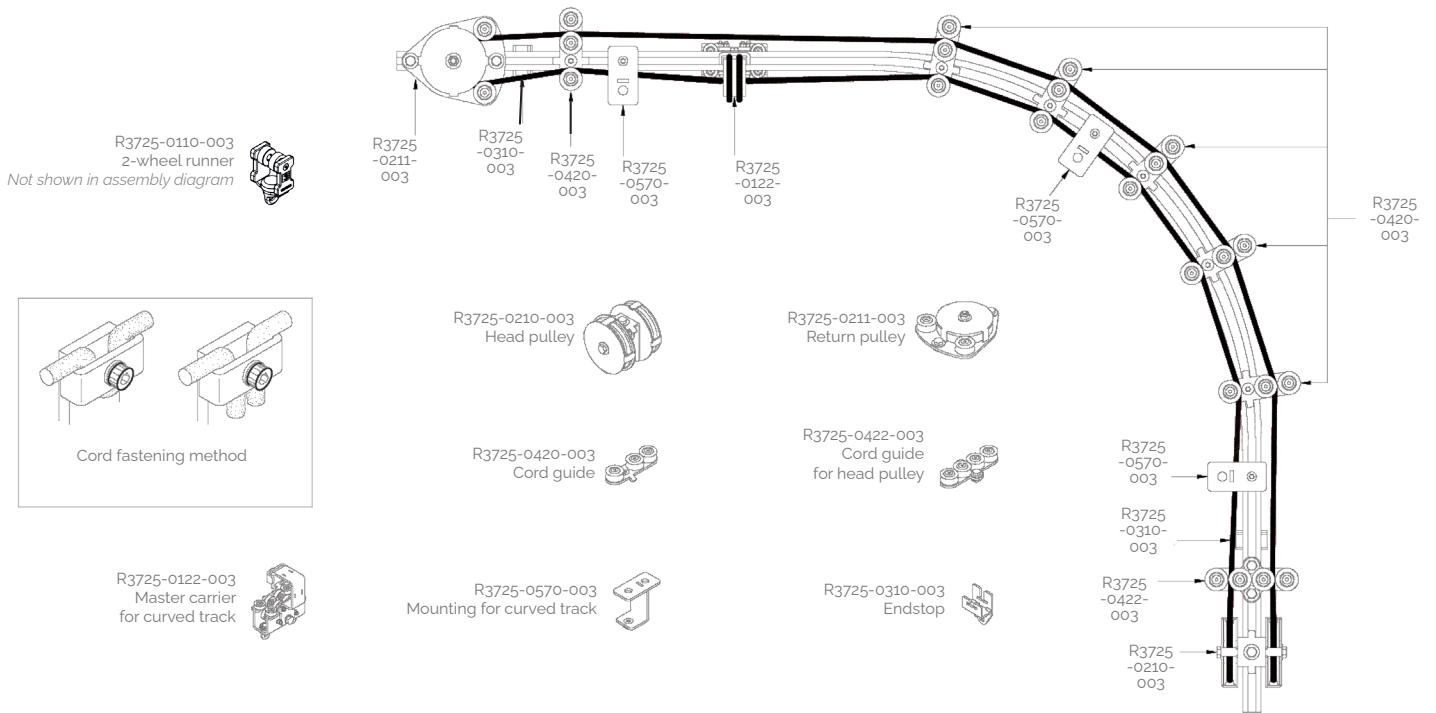


▶ 3. Installation on straight double track for 2 curtains (dual-rail)

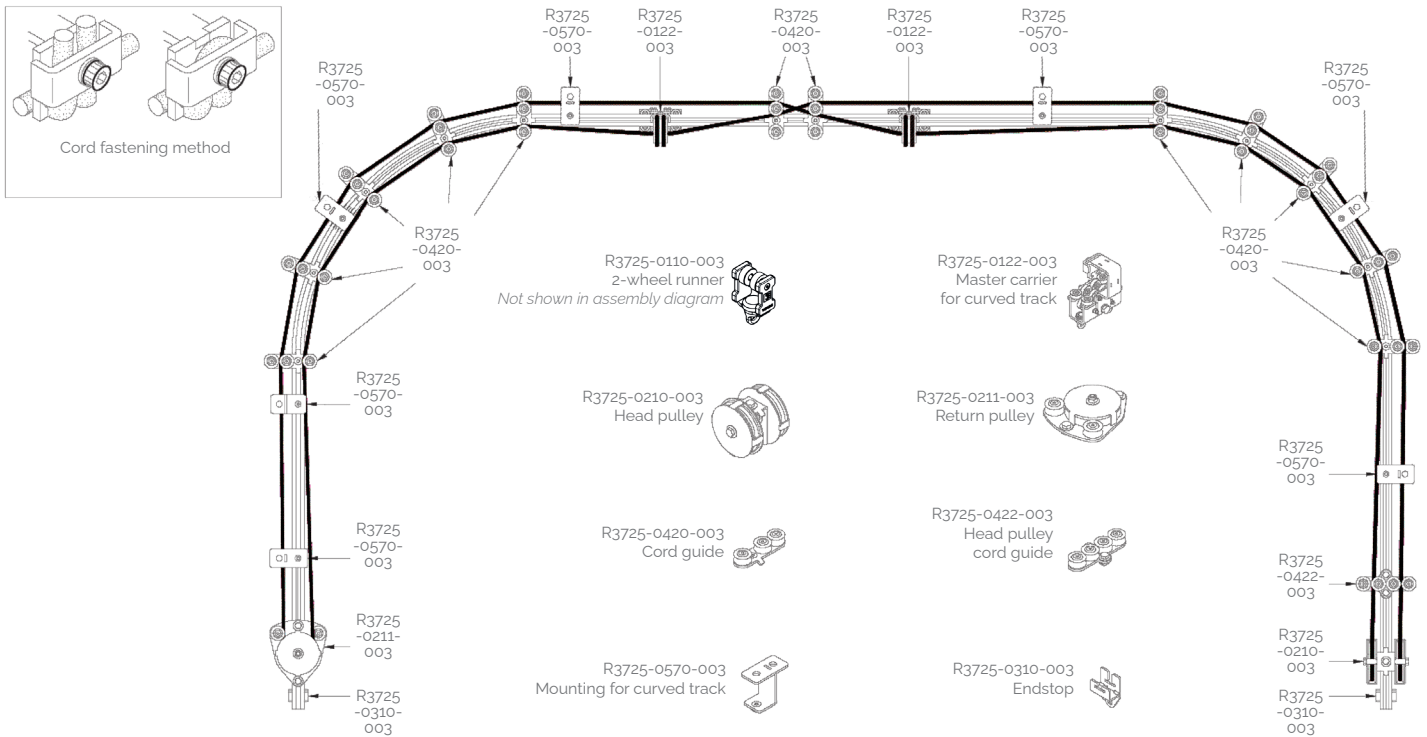


► Mounting options

► 4. Installation on curved single track for 1 curtain

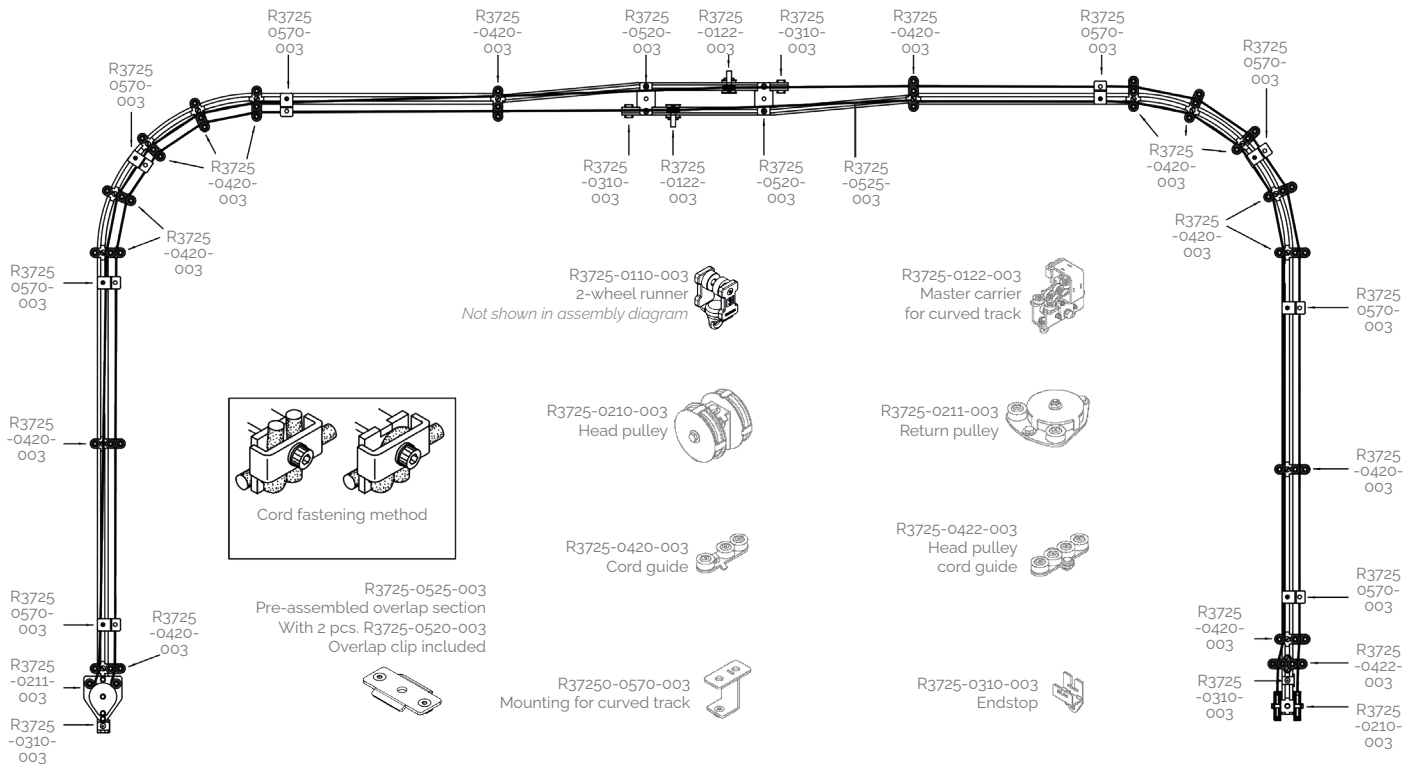


► 5. Installation on curved single track for 2 curtains

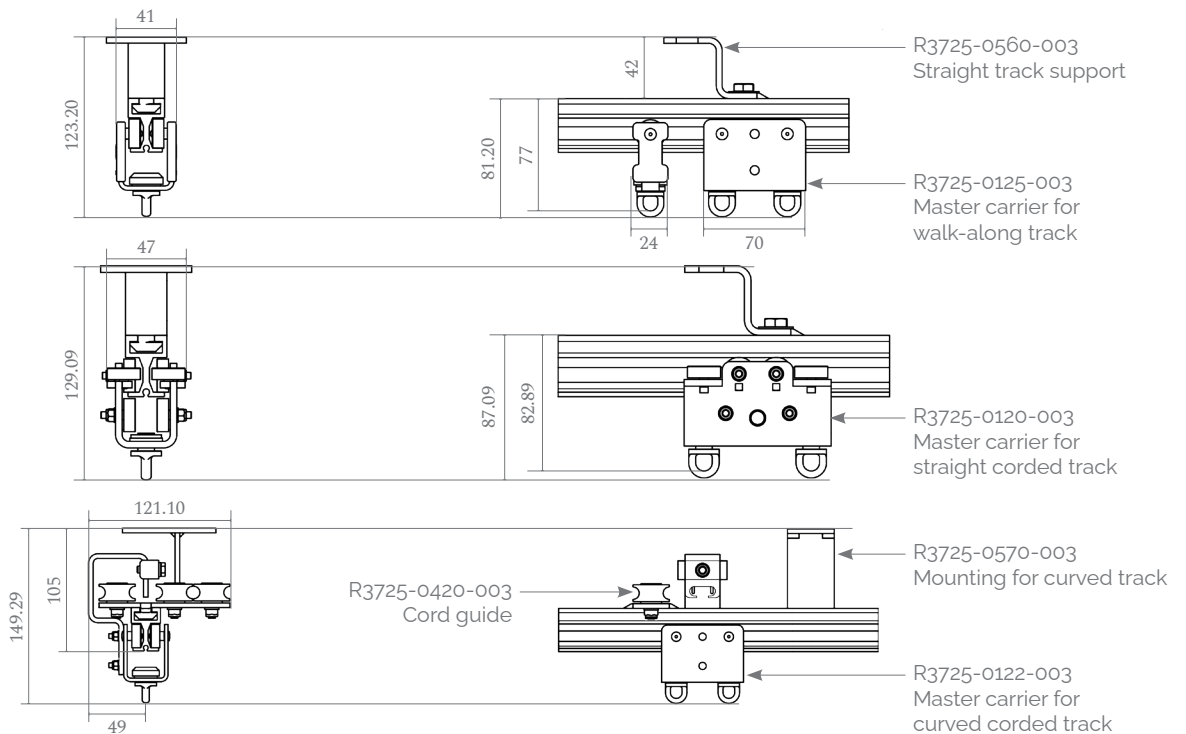


▶ Mounting options

▶ 6. Installation on curved double track for 2 curtains (dual rail)



▶ Operating dimensions (in mm)



▶ Tracks and accessories

TRACK	<p>Track 37x25 Max. track length without extension: 6.10 m</p> <p>Composition: Extruded aluminium</p> <p>Colour: Black (Other colours available to order)</p> <p>Track weight (without accessories): 920 g/m</p> <p><i>Ref. RA3725-0000-003</i></p>			
	<p>Curved track 37x25</p> <p>Composition: Extruded aluminium</p> <p>Colour: Black (Other colours available to order)</p> <p>Track weight (without accessories): 920 g/m</p> <p>Made-to-measure Length to-order Curved to-order Minimum radius: 500 mm With 600 mm straight end-section <i>Ref. RA3725-0099-003</i></p> <p>Standard curved sections With 600 mm straight end-section</p>			
		<p>90° angle x 500 mm Unit weight: 1840 g <i>Ref. RA3725-0005-003</i></p>	<p>90° angle x 1000 mm Unit weight: 2580 g <i>Ref. RA3725-0010-003</i></p>	<p>90° angle x 2000 mm Unit weight: 4050 g <i>Ref. RA3725-0020-003</i></p>
		<p>90° angle x 750 mm Unit weight: 2210 g <i>Ref. RA3725-0007-003</i></p>	<p>90° angle x 1500 mm Unit weight: 3310 g <i>Ref. RA3725-0015-003</i></p>	
RUNNERS & CARRIERS	<p>2-wheel runner</p> <p>2 super-silent bearing-mounted nylon wheels</p> <p>Supported weight: 15 kg</p> <p>Colour: Black</p> <p>Unit weight: 50 g</p> <p><i>Ref. RA3725-0110-003</i></p>			
	<p>4-wheel master carrier for walk-along track</p> <p>4 super-silent bearing-mounted nylon wheels</p> <p>Supported weight: 30 kg</p> <p>Colour: Black</p> <p>Unit weight: 200 g</p> <p><i>Ref. RA3725-0125-003</i></p>			

▶ Tracks and accessories

RUNNERS & CARRIERS

12-wheel master carrier for walk-along track

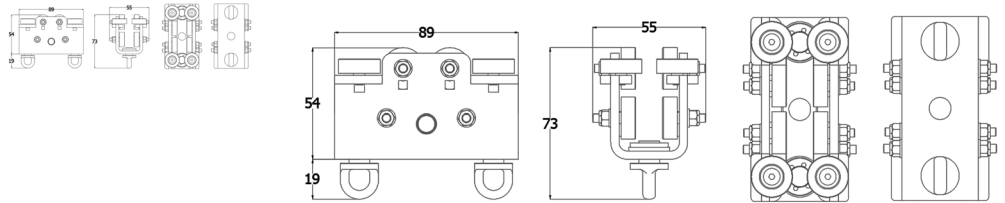
12 super-silent bearing-mounted nylon wheels

Supported weight: 30 kg

Colour: Black

Unit weight: 450 g

[Ref. RA3725-0126-003](#)



Master carrier for straight corded track

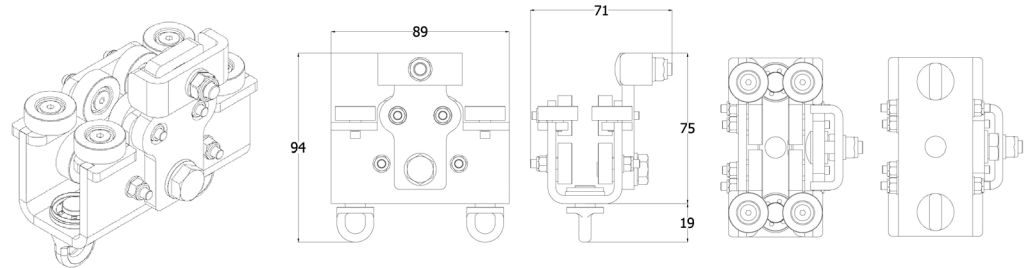
12 super-silent bearing-mounted nylon wheels

Supported weight: 30 kg

Colour: Black

Unit weight: 500 g

[Ref. RA3725-0120-003](#)



Master carrier + limit striker for motorised straight track

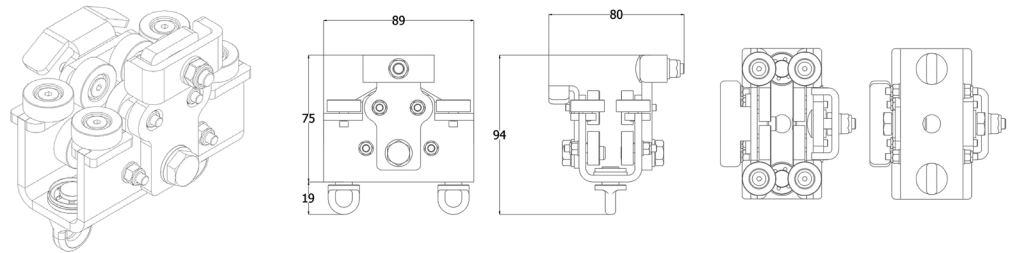
12 super-silent bearing-mounted nylon wheels

Supported weight: 30 kg

Colour: Black

Unit weight: 600 g

[Ref. RA3725-0121-003](#)



Master carrier for corded curved track

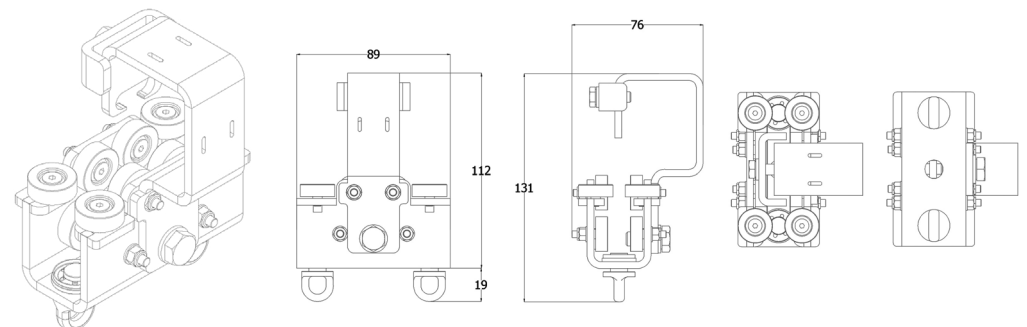
12 super-silent bearing-mounted nylon wheels

Supported weight: 30 kg

Colour: Black

Unit weight: 550 g

[Ref. RA3725-0122-003](#)



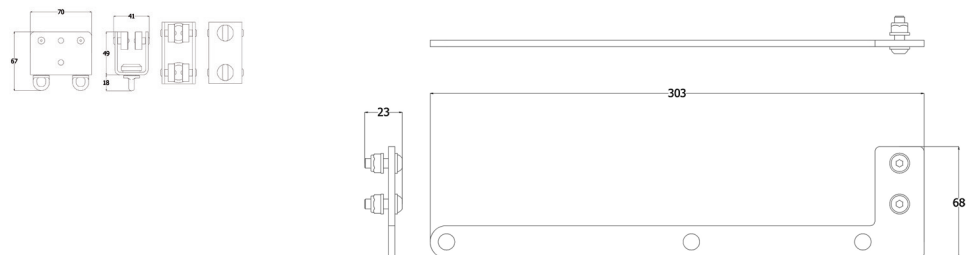
Overlap arm for walk-along track

Colour: Black

Unit weight: 250 g

Sold individually, but 2 required for central overlap


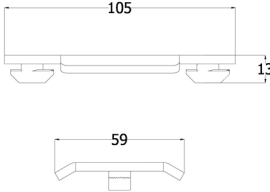
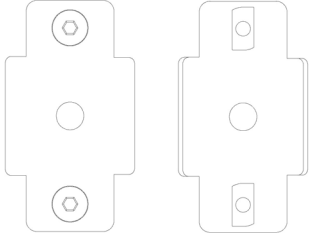
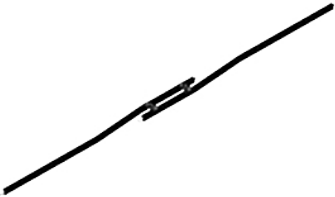
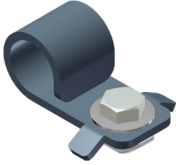
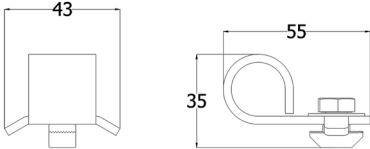
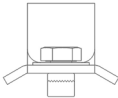
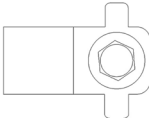
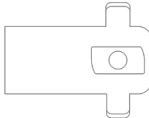
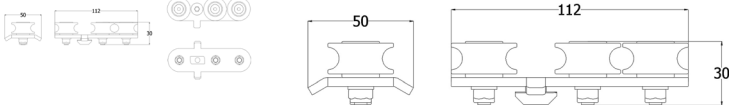
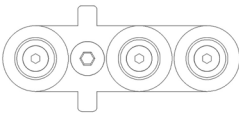
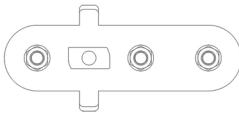
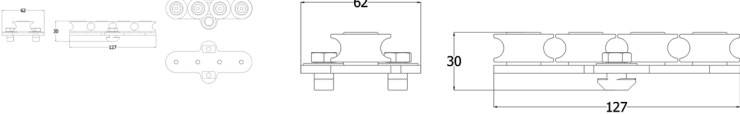
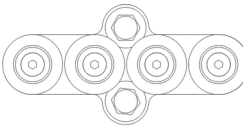
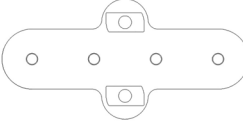
[Ref. RA3725-0140-003](#)




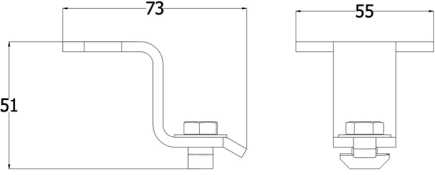
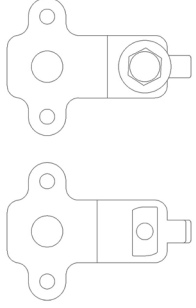
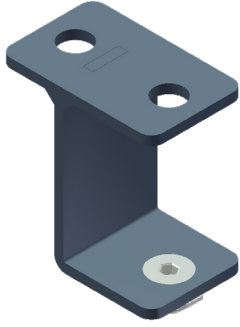
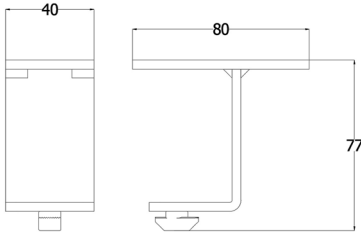
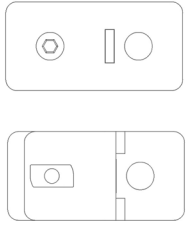

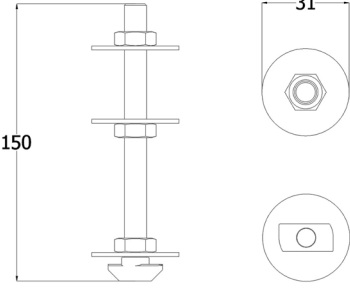
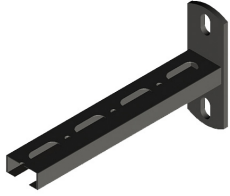
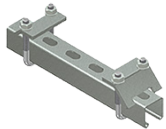
▶ Tracks and accessories

RUNNERS & CARRIERS	<p>Overlap arm for corded track</p> <p>Colour: Black</p> <p>Unit weight: 250 g</p> <p>Sold individually, but 2 required for central overlap</p> <p><i>Ref. RA3725-0141-003</i></p>	
	<p>Head pulley</p> <p>With bearings</p> <p>Colour: Black</p> <p>Unit weight: 900 g</p> <p><i>Ref. RA3725-0210-003</i></p>	
PULLEYS	<p>Return pulley</p> <p>With bearings</p> <p>Colour: Black</p> <p>Unit weight: 760 g</p> <p><i>Ref. RA3725-0211-003</i></p>	
	<p>Adjustable floor pulley</p> <p>With bearings</p> <p>Colour: Black</p> <p>Unit weight: 1420 g</p> <p><i>Ref. RA3725-0250-003</i></p>	
STOPS	<p>Endstop</p> <p>Colour: Black</p> <p>Unit weight: 120 g</p> <p><i>Ref. RA3725-0310-003</i></p>	
	<p>Joint set</p> <p>Colour: Steel</p> <p>Unit weight: 290 g</p> <p><i>Ref. RA3725-0510-140</i></p>	


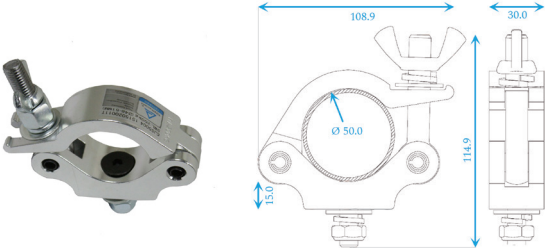
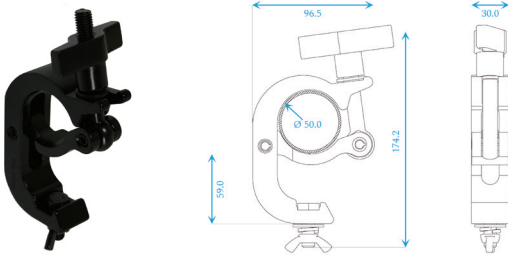
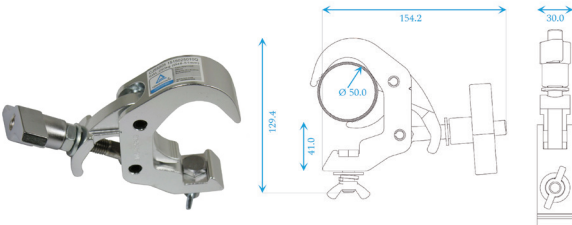


▶ Tracks and accessories

JOINTS	<p>Double-track overlap clip</p> <p>Colour: Black</p> <p>Unit weight: 180 g</p> <p>Ref. RA3725-0520-003</p>	  
	<p>Pre-assembled overlap section</p> <p>Colour: Black (Other colours available to order)</p> <p>Standard length: 3 m (Other lengths available to order)</p> <p>Unit weight: 3120 g</p> <p>Ref. RA3725-0525-003</p>	 <p>Composition:</p> <ul style="list-style-type: none"> - 2 dogleg tracks to ensure optimum overlap - 2 overlap clips <p>For use with all tracks where overlap is required:</p> <ul style="list-style-type: none"> - Straight track - Dogleg track - U-curved track <p>The two overlap clips ensure perfect alignment of the two tracks installed in parallel</p>
CORD GUIDES	<p>Line pickup</p> <p>Colour: Black</p> <p>Unit weight: 120 g</p> <p>Ref. RA3725-0410-003</p>	    
	<p>Cord guide</p> <p>With bearings</p> <p>Colour: Black</p> <p>Unit weight: 180 g</p> <p>Ref. RA3725-0420-003</p>	  
	<p>Head pulley cord guide</p> <p>With bearings</p> <p>Colour: Black</p> <p>Unit weight: 270 g</p> <p>Ref. RA3725-0422-003</p>	  

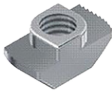
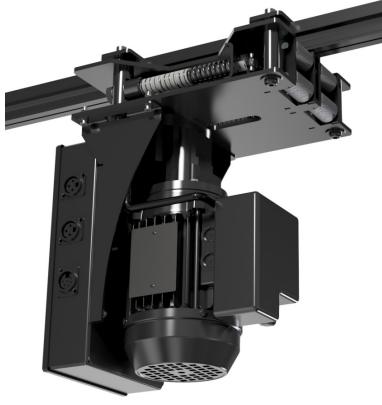


▶ Tracks and accessories

MOUNTING BRACKETS	<p>Mounting bracket for straight track</p> <p>Supported weight: 74 kg</p> <p>Colour: Black (Other colours available to order)</p> <p>Unit weight: 220 g</p> <p><i>Ref. RA3725-0560-003</i></p>	  
	<p>Mounting bracket for curved track</p> <p>Supported weight: 85 kg</p> <p>Colour: Black (Other colours available to order)</p> <p>Unit weight: 230 g</p> <p><i>Ref. RA3725-0570-003</i></p>	  
	<p>Threaded rod</p> <p>Composition: 1 M8 threaded rod 3 nuts 1 slide nut 3 washers</p> <p>Colour: Steel</p> <p>Length: 15 cm</p> <p><i>Ref. RA3725-0551-140</i></p>	 
	<p>Brackets</p> <p>For use with our threaded rod for wall-mounting</p> <p>Standard lengths: 200 mm, 300 mm, 500 mm (Other dimensions available to order)</p> <p>Standard colours: Black or Steel (Other colours available to order)</p>	 <p>Need more information about this product? Check out our dedicated technical specifications for brackets!</p>
	<p>I-beam mounting kit</p> <p>For use with our threaded rod for mounting on I-beams</p> <p>Can be used for beams of any width and thickness</p> <p>Colour: Steel</p> <p><i>Ref. RA3725-0555-140</i></p>	

▶ Tracks and accessories

MOUNTING BRACKETS	<p>Single clamp 100 kg TUV</p> <p>For mounting on tube Ø 50 mm</p> <p>Max. load: 100 kg</p> <p>Colour: Black or Silver</p> <p>Ref. AC1001-0100-090 (silver) Ref. AC1001-0100-003 (black)</p>		<p>Need more information about this product?</p> <p>Check out our dedicated technical specifications for collars and clamps!</p>
	<p>Single clamp 200 kg TUV</p> <p>For mounting on tube Ø 50 mm</p> <p>Max. load: 200 kg</p> <p>Colour: Black or Silver</p> <p>Ref. AC1001-0250-090 (silver) Ref. AC1001-0250-003 (black)</p>		<p>Need more information about this product?</p> <p>Check out our dedicated technical specifications for collars and clamps!</p>
	<p>Easy bracket 250 kg TUV</p> <p>For easy mounting on tubes Ø 50 mm</p> <p>Max. load: 250 kg</p> <p>Colour: Black or Silver</p> <p>Ref. AC0001-0250-090 (silver) Ref. AC0001-0250-003 (black)</p>		<p>Need more information about this product?</p> <p>Check out our dedicated technical specifications for collars and clamps!</p>
	<p>Side clamp 250 kg TUV</p> <p>For mounting on tube Ø 50 mm</p> <p>Max. load: 250 kg</p> <p>Colour: Black or Silver</p> <p>Ref. AC0002-0250-090 (silver) Ref. AC0002-0250-003 (black)</p>		<p>Need more information about this product?</p> <p>Check out our dedicated technical specifications for collars and clamps!</p>
MISCELLANEOUS ACCESSORIES	<p>Black PES curtain rope Ø 8 mm</p> <p>Pre-stretched</p> <p>For manual cord installation</p> <p>Ref. ADP08-003-M</p>		
	<p>Black Kevlar curtain rope Ø 8 mm</p> <p>Pre-stretched</p> <p>For motorised cord installation</p> <p>Ref. ADK08-003-M</p>		

▶ Tracks et accessories

MISCELLANEOUS ACCESSORIES	<p>M8 slide nut</p> <p>Slide nut to insert and lock different accessories in the track</p> <p>Colour: Steel</p> <p><i>Ref. RA3725-0910-140</i></p>	
MOTORS	<p>Track Motor 250 + Track Remote WD <i>(Recommended motor for Erail)</i></p> <p>Power: 250 W</p> <p>Max. weight for walk-along curtains: 250 kg (straight track) 125 kg (curved track)</p> <p>Max. speed: 0.6 m/s</p> <p>Fixed speed</p> <p>Included: Main control unit (on-stage control)</p> <p><i>Ref. RA0000-0250-003</i></p>	  <p>Need more information about our motor accessories?</p> <p>Check out our dedicated technical specifications for Track Motor 250!</p>
MOTORS	<p>Track Motor 750 <i>(Motor compatible with Erail track)</i></p> <p>Power: 750 W</p> <p>Max. weight for walk-along curtains: 500 kg</p> <p>Max. speed: 1 m/s</p> <p>Variable speed</p> <p>Electric disengagement</p> <p><i>Ref. RA0000-0750-003</i></p>	 <p>Need more information about our motor accessories?</p> <p>Check out our dedicated technical specifications for Track Motor 750!</p>

NOTE: All dimensions provided are in metrics.

CONTACT OUR EXPORT TEAM

+33 (0)6 23 21 50 28



export@azur-scenic.com

The information in this document provides generic values that describe only the standard technical specifications and chemical composition of the products concerned. No guarantee is offered. Any images are non-contractual. The names of the colours are given for information purposes only and do not guarantee a specific colour.