



*Images are non-contractual*

**TM250: a powerful, silent, high-precision** motor designed for our **Heavy Track** and **Erail curtain tracks**.

Its dual-pulley system offers excellent precision and lets you **open and close curtains and decorations** weighing **up to 250 kg** (on straight curtain tracks) with a **fixed speed** of 60 cm/sec.

To best suit your configuration and your budget, it can also be equipped with a **wired on-stage control** or **remote radio control**.

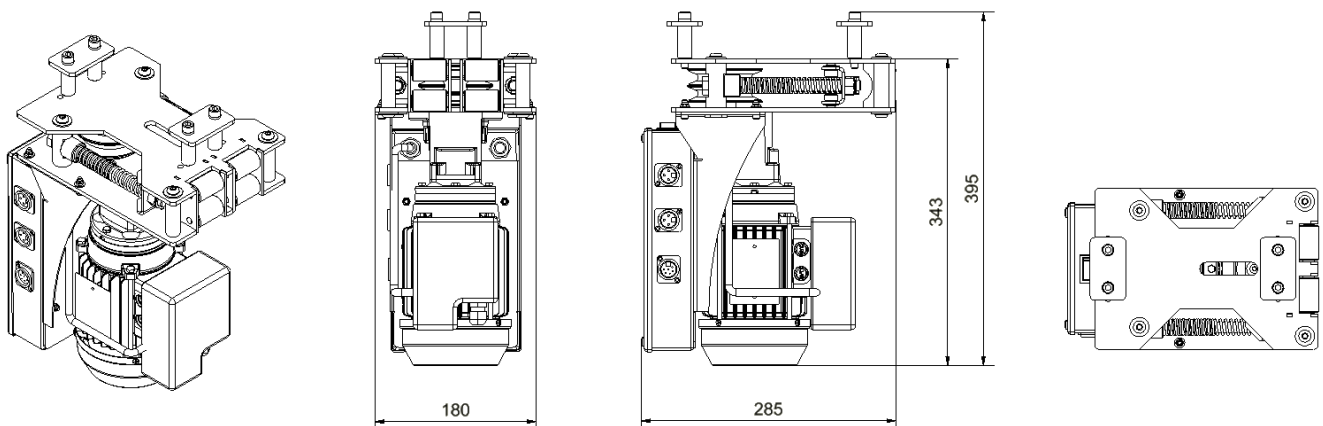
In case of a power cut, it also features **manual operation** as standard, allowing you to activate the curtains by walk-along.

# TRACK MOTOR 250

## ► Technical specifications

TM250 Fixed speed	
Power	0.25 kW
Force @ speed	350 N to 400 N @ 0.6 m/s
Traction capacity	250 kg @ 0.6 m/s (straight track) 125 kg @ 0.6 m/s (shaped track)
Weight	14 kg
Controls	Very low voltage 24V 6-pin XLR cabling 2 interchangeable control units: <ul style="list-style-type: none"> <li>• Wired push-button unit</li> <li>• Remote radio control unit</li> </ul>
Inverter	Rotational direction control via switch on electrical unit
Travel endstops	3-pin XLR cabling Opening travel endstop with 3 m of cable + XLR connector + mounting bracket Closing travel endstop with 10 m of cable + XLR connector + mounting bracket

## ► Dimensions (in mm)



# TRACK REMOTE WD

## ▶ Wired and fixed speed main control unit: Track Remote WD



Images are non-contractual

## ▶ Technical specifications

Ref. RA0000-0250-003	Track Remote WD
Power supply	Single phase 230 V 50 Hz
Approximate dimensions	<ul style="list-style-type: none"><li>• Width: 70 mm</li><li>• Height: 120 mm</li><li>• Depth: 7.5 mm</li> <li>• Power cable: 10 m</li></ul>
Option	<ul style="list-style-type: none"><li>• 10 m extension for Track Remote WD (Ref. RA0000-0260-003)</li></ul>

# TRACK REMOTE WIRELESS

Optional remote radio control available for the main control unit. (Note: while the main control unit is required for installation of remote radio control, the two cannot be operated simultaneously).

Choose from 2 models, each comprising a receiver unit and a transmitter unit.

## ▶ Remote radio control unit: Track Remote WL



*Images are non-contractual*

## ▶ Technical specifications

Ref. RA0000-0012-099	Track Remote WL
Range	50 m without obstruction
Approximate dimensions of receiver (including antenna)	<ul style="list-style-type: none"><li>• Width / Height: 50 x 180 mm</li><li>• Depth: 40 mm</li><li>• Power cable: 3 m</li></ul>
Approximate dimensions of sender	<ul style="list-style-type: none"><li>• 50 x 80 mm</li></ul>
Connector	XLR connection <ul style="list-style-type: none"><li>• On motor (if used alone)</li><li>• On dual-control unit (if used with a wired control unit)</li></ul>

# TRACK REMOTE WIRELESS

## ▶ Remote radio control unit: Track Remote WA



*Images are non-contractual*

## ▶ Technical specifications

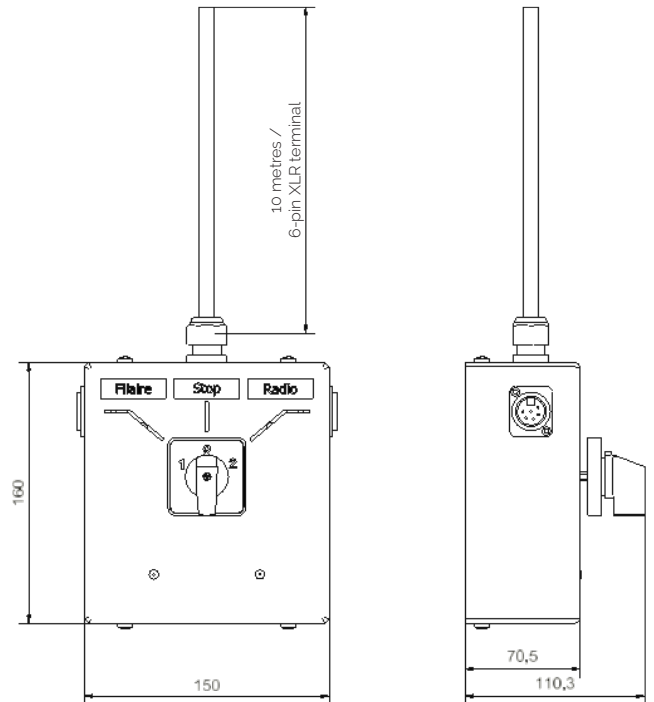
Ref. RA0000-0020-099		Track Remote WA
Advantage		Equipped with an emergency stop push-button
Connector		XLR connection <ul style="list-style-type: none"><li>• On motor (if used alone)</li><li>• On dual-control unit (if used with a wired control unit)</li></ul>

# DUAL-CONTROL UNIT

► Allows connection of a wired control unit and wireless control unit



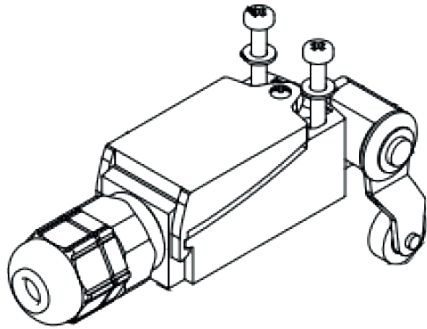
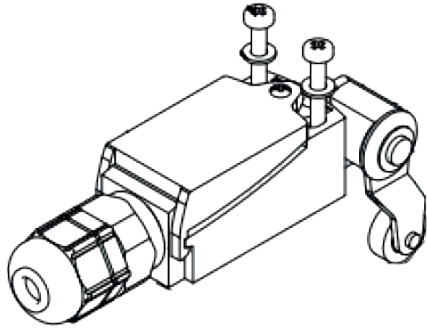
Images are non-contractual



► Technical specifications

Ref. RA0000-0255-003		Dual-control unit
Connector	Connection to motor via XLR instead of via wired control unit 2 inputs:	<ul style="list-style-type: none"> <li>• 1 for wired control unit (with emergency stop control)</li> <li>• 1 for remote radio control unit (with emergency stop shunt)</li> </ul>
Operation	Selector switch lets you choose the type of controller and ensures controller interlock (simultaneous control from the 2 control units is not possible) Middle (STOP) position overrides the 2 controllers	
Mounting	The control unit consists of a fascia (on which the internals and cabling are mounted) and a box for easy wall-mounting	

# TRAVEL ENDSTOP PACK



Images are non-contractual

## ► Technical specifications

Ref. RA0000-0270-003		Travel endstop kit for TM250
Connector		Connects to motor via XLR connector <ul style="list-style-type: none"><li>• 1 unit length 3 m</li><li>• 1 unit length 10 m</li></ul>
Option		<ul style="list-style-type: none"><li>• 10 m extension for track end stop (Ref. RA0000-0260-003)</li></ul>

## CONTACT OUR EXPORT TEAM

+33 (0)6 23 21 50 28



[export@azur-scenic.com](mailto:export@azur-scenic.com)

The information in this document provides generic values that describe only the standard technical specifications and chemical composition of the products concerned. No guarantee is offered. Any images are non-contractual. The names of the colours are given for information purposes only and do not guarantee a specific colour.