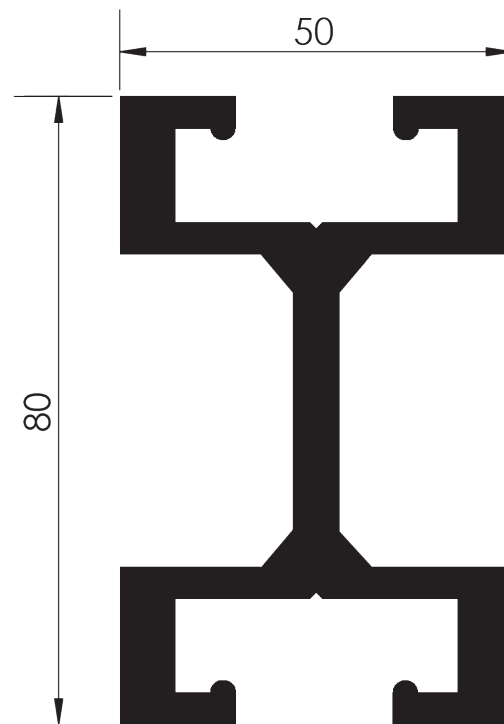


**Fully modular stage curtain tracks**, ideal for equipping any type of stage, including theatres, concert halls and performance venues where **extra-heavy loads** such as velour curtains, extra-large curtains, or acoustic curtains are in use.

The **quick, easy installation** thanks to a **super-heavy-duty and extremely rigid** construction requires a minimum of anchor points (maximum spacing between anchor points: 3 m, adjustable according to curtain weight) makes **a perfect material for touring** where frequent assembly and disassembly are required.



Track cross-section 1

# Heavy Track

Aluminium profiles in **black** (other colours available to order).

Can be operated in **walk-along** (without cord), **manual corded curtain pull** (polyester curtain cord Ø 8 mm) or **motorised** modes (Kevlar curtain cord Ø 8 mm).

Can be **bent** to shape (all operations).

Installation in **single curtain tracks for 1 or 2 curtains** (central overlap approx. 35 cm) or on **dual double-track curtain rails** with overlap (standard central overlap 1 m, other overlaps available to order)

Can be installed with **ceiling mountings**, **wall mountings** on brackets, and on **tubes** using collars (tube Ø 50 mm).

## ▶ Maximum permitted load (safety factor 5:1)

	At 1 m from anchor point	At 2 m from anchor point	At 3 m from anchor point
Unit load	375 kg	185 kg	120 kg
Uniform load distribution	750 kg	370 kg	240 kg

## ▶ Mounting options

### ▶ Mounting on straight single track

Bottom view



Front view



Top view



### ▶ Mounting on straight double track

Bottom view



Front view



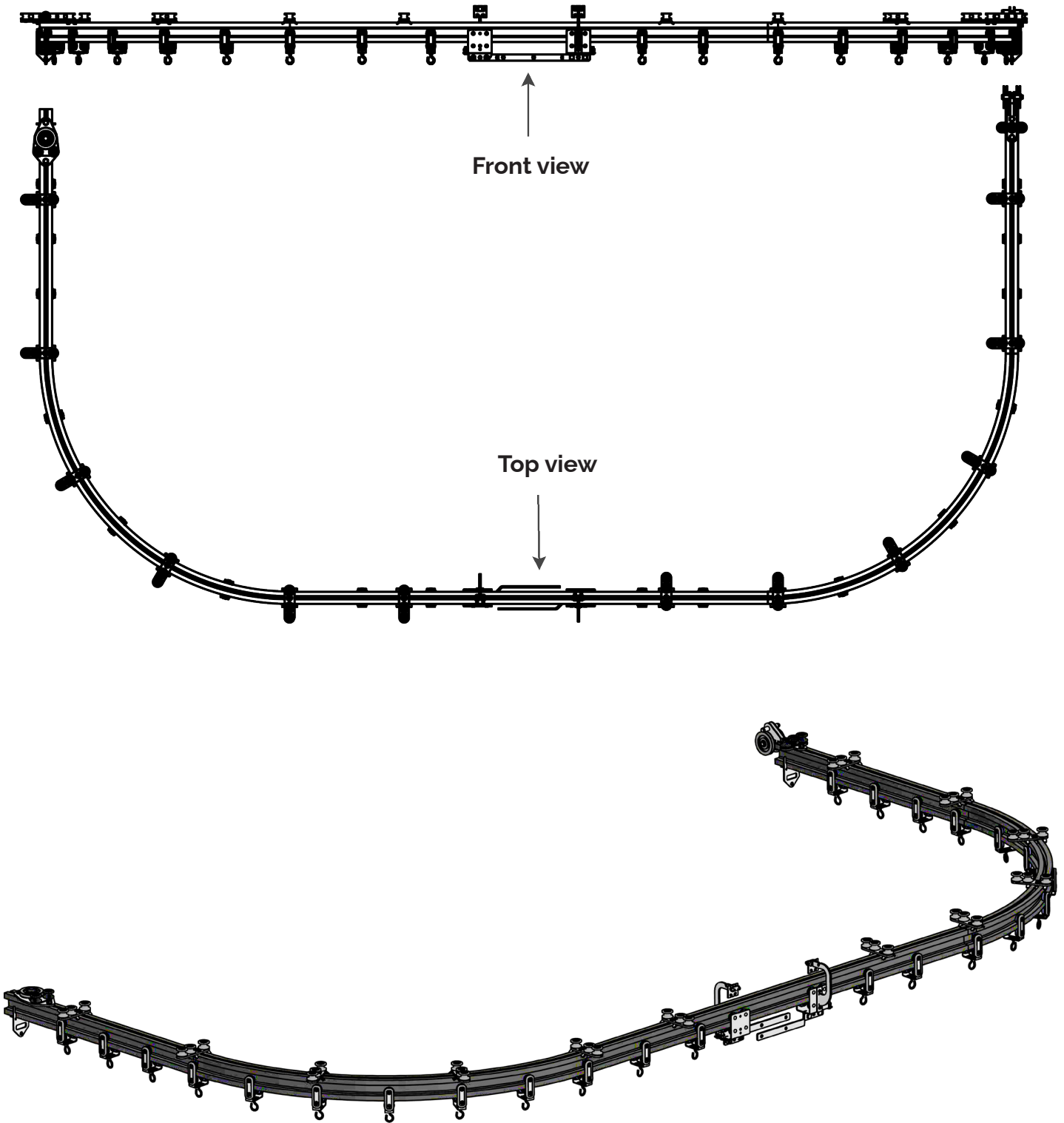
Top view



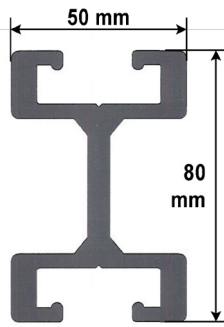
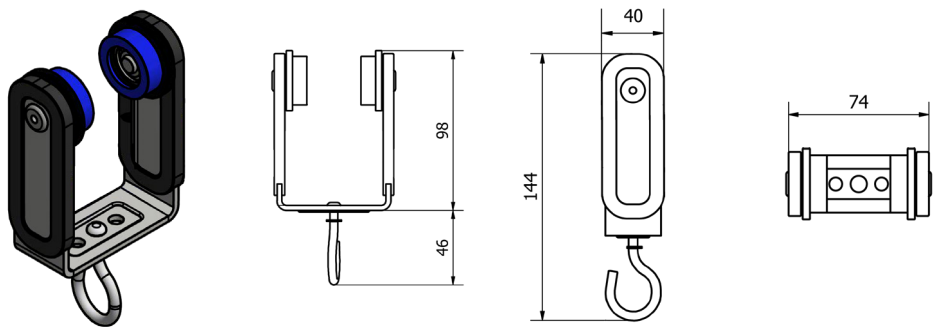
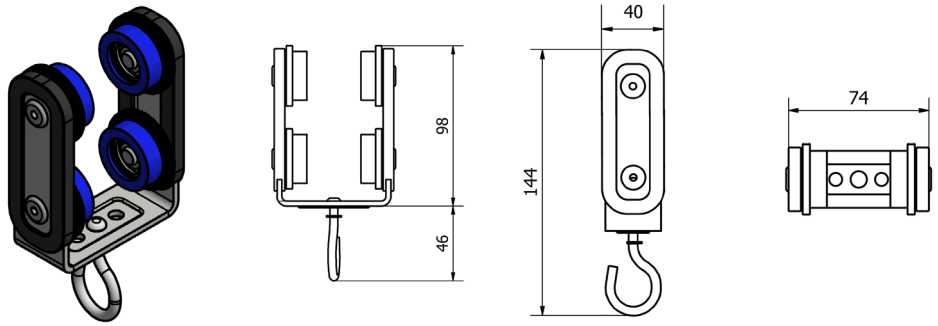
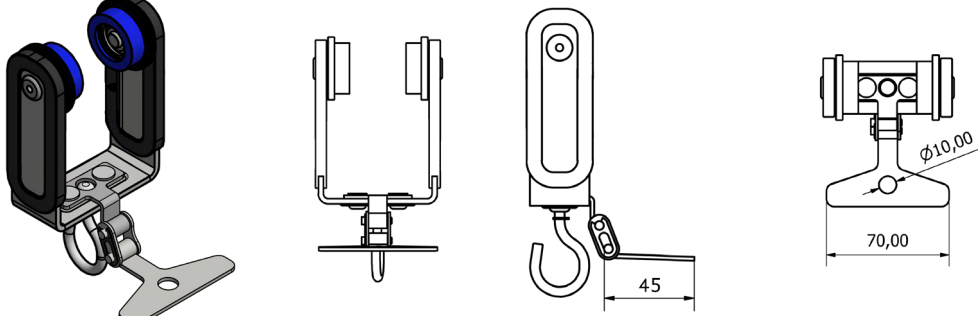
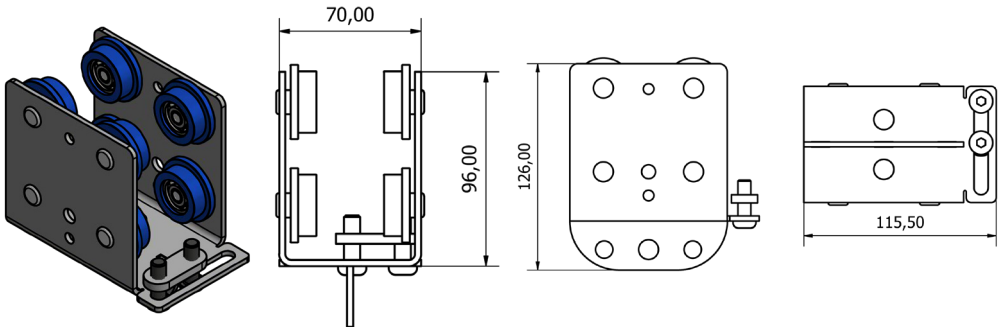
# Heavy Track

## ▶ Mounting options

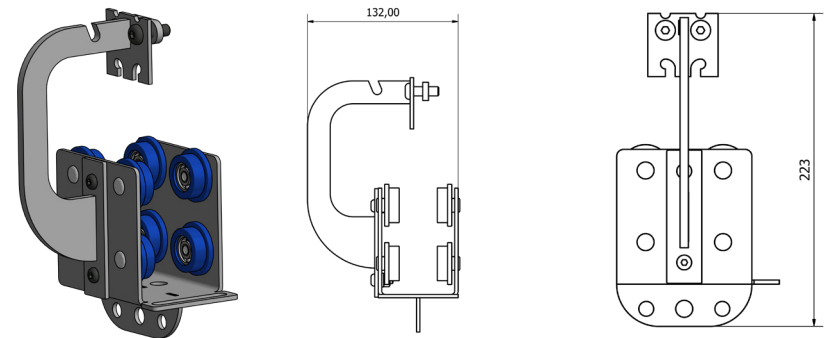
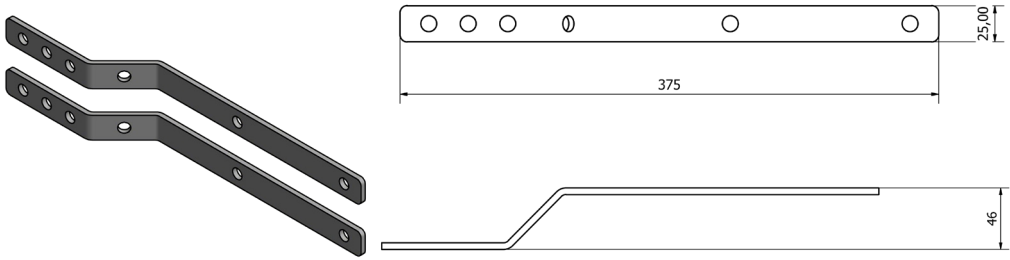
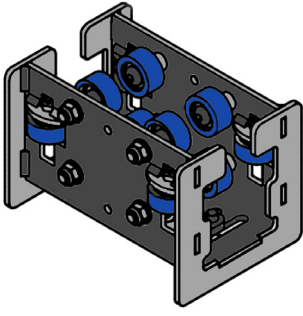
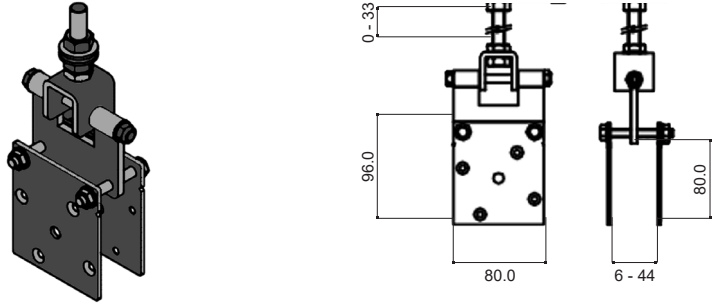
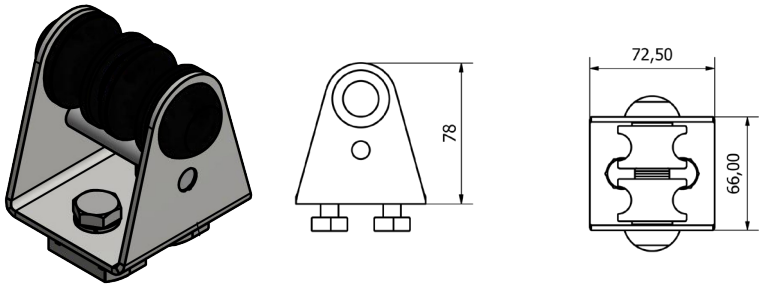
### ▶ Curved mounting



## Tracks and accessories

<p><b>TRACK</b></p> <p><b>80 x 50 profile</b> Max. track length without extension: 6 m</p> <p>Composition: Extruded aluminium</p> <p>Profile weight (excluding accessories): 3.580 kg/m</p> <p><i>Ref. RA8050-0000-003</i></p>				
<p><b>RUNNERS &amp; CARRIERS</b></p> <p><b>2-wheel runner</b> 2 super-silent bearing-mounted soft wheels Swivel steel hook</p> <p>Supported weight: 25 kg</p> <p><i>Ref. RA8050-0110-003</i></p>				
<p><b>4-wheel runner</b> 4 super-silent bearing-mounted soft wheels Swivel steel hook</p> <p>Supported weight: 25 kg</p> <p><i>Ref. RA8050-0111-003</i></p>				
<p><b>Anti-crease runner</b> 4 super-silent bearing-mounted soft wheels Swivel steel hook</p> <p>With blocking system to restrict curtain pleating when opening</p> <p>Supported weight: 25 kg</p> <p><i>Ref. RA8050-0113-003</i></p>				
<p><b>Master carrier</b> 8 super-silent bearing-mounted soft wheels</p> <p>Supported weight: 50 kg</p> <p><i>Ref. RA8050-0120-003</i></p>				

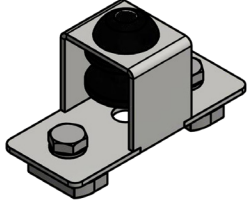
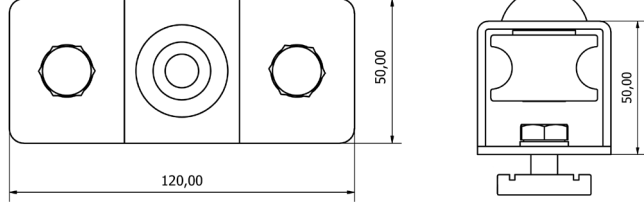
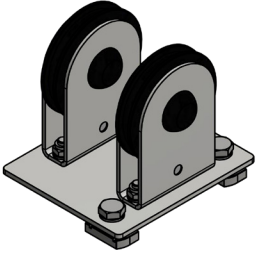
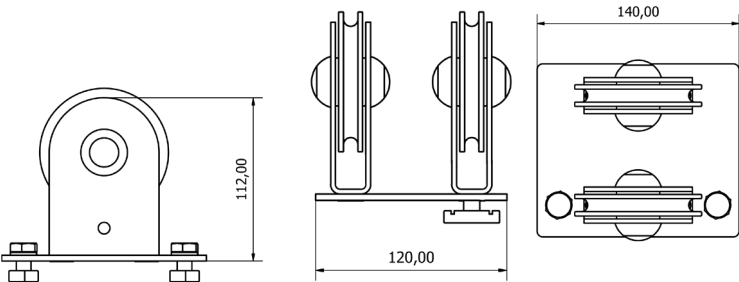
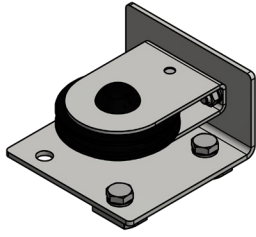
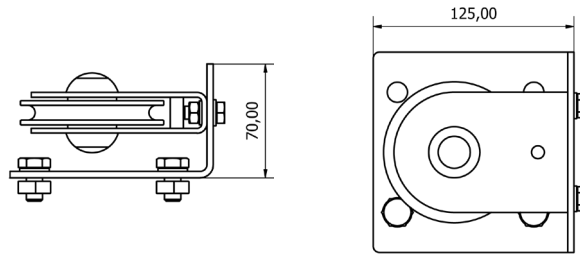
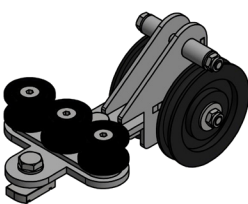
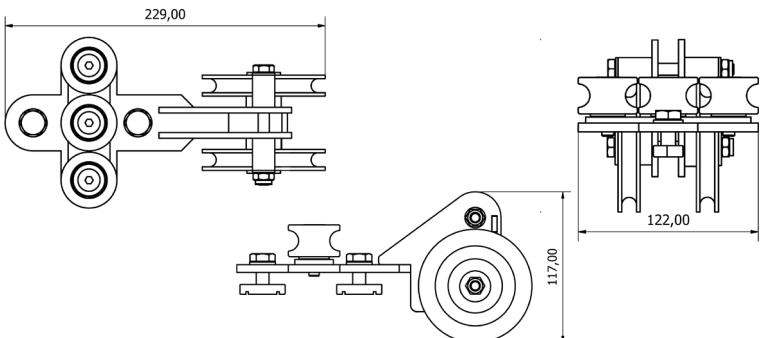
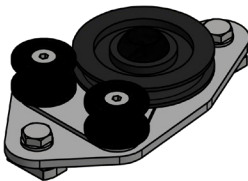
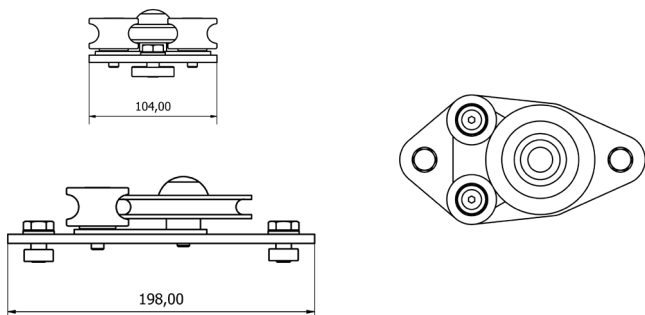
## ▶ Tracks and accessories

<p><b>Master carrier</b> <b>Curved double track</b> 8 super-silent bearing-mounted soft wheels</p> <p>Supported weight: 50 kg</p> <p><i>Ref. RA8050-0122-003</i></p>	
<p><b>Set of crossing legs (pair)</b></p> <p>Steel</p> <p><i>Ref. RA8050-0140-003</i></p>	
<p><b>Carrier for heavy loads</b> 12 wheels (including 4 on the sides) mounted on connecting rod bearings to support extra heavy loads on straight or curved tracks</p> <p>Supported weight: 100 kg</p> <p><i>Ref. RA8050-0130-003</i></p>	
<p><b>Set holders</b> This accessory attaches under the heavy-duty carrier to hang sets between 6 and 44 mm thick, allowing them to rotate 360°</p> <p><i>Ref. RA8050-0135-003</i></p>	
<p><b>Head pulley</b> <b>Single track</b></p> <p><i>Ref. RA8050-0210-003</i></p>	

RUNNERS & CARRIERS

PULLEYS

► Tracks and accessories

<p><b>Return pulley Single track</b></p> <p><i>Ref. RA8050-0211-003</i></p>	 
<p><b>Head pulley Double track</b></p> <p><i>Ref. RA8050-0220-003</i></p>	 
<p><b>Return pulley Double track</b></p> <p><i>Ref. RA8050-0221-003</i></p>	 
<p><b>Head pulley Curved double track</b></p> <p><i>Ref. RA8050-0230-003</i></p>	 
<p><b>Return pulley Curved double track</b></p> <p><i>Ref. RA8050-0231-003</i></p>	 

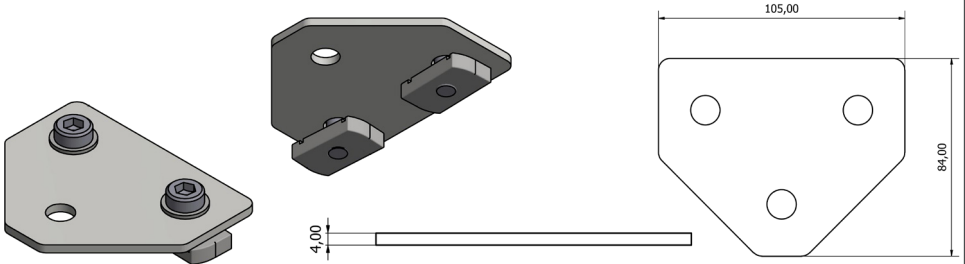
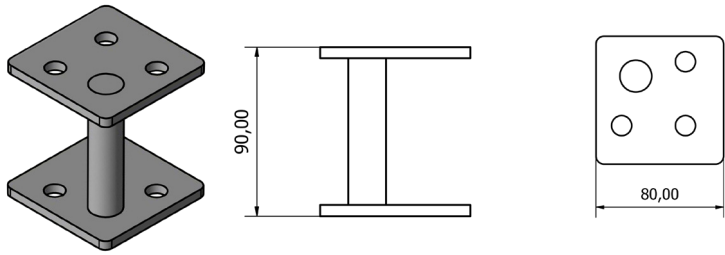




PULLEYS

# Heavy Track

## Tracks and accessories

<p style="writing-mode: vertical-rl; transform: rotate(180deg);">PULLEYS</p>	<p><b>Bottom pulley - fixed with adjustable height</b>  <i>Ref. RA8050-0250-003</i></p>	
<p style="writing-mode: vertical-rl; transform: rotate(180deg);">STOPS</p>	<p><b>Endstop</b>          Steel  <i>Ref. RA8050-0310-003</i></p>	
<p style="writing-mode: vertical-rl; transform: rotate(180deg);">CORD GUIDES</p>	<p><b>Line pickup</b>  <i>Ref. RA8050-0410-003</i></p>	
<p style="writing-mode: vertical-rl; transform: rotate(180deg);">CORD GUIDES</p>	<p><b>Cord guide</b>  <i>Ref. RA8050-0420-003</i></p>	
<p style="writing-mode: vertical-rl; transform: rotate(180deg);">JOINTS &amp; MOUNTING BRACKETS</p>	<p><b>Joints (pair)</b>          Steel          M10 holes          2 fittings per joint  <i>Ref. RA8050-0510-003</i></p>	
<p style="writing-mode: vertical-rl; transform: rotate(180deg);">JOINTS &amp; MOUNTING BRACKETS</p>	<p><b>Overlap plate Double track</b>          Steel, thickness 4 mm          M10 holes  <i>Ref. RA8050-0520-003</i></p>	

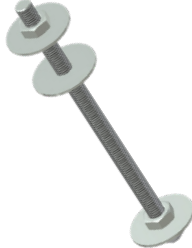
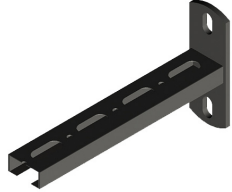


## ▶ Tracks and accessories

<p><b>Offset plate Double track</b></p> <p><i>Ref. RA8050-0530-003</i></p>	
<p><b>Upper spacer Curved double track</b></p> <p><i>Ref. RA8050-0540-003</i></p>	
<p><b>Single clamp 100 kg TUV</b></p> <p>For mounting on tube Ø 50 mm</p> <p>Max. load: 100 kg</p> <p>Colour: Black or Silver</p> <p><i>Ref. AC1001-0100-090</i> (silver) <i>Ref. AC1001-0100-003</i> (black)</p>	 <p>Need more information about this product? Check out our dedicated technical specifications for collars and clamps!</p>
<p><b>Single clamp 200 kg TUV</b></p> <p>For mounting on tube Ø 50 mm</p> <p>Max. load: 200 kg</p> <p>Colour: Black or Silver</p> <p><i>Ref. AC1001-0250-090</i> (silver) <i>Ref. AC1001-0250-003</i> (black)</p>	 <p>Need more information about this product? Check out our dedicated technical specifications for collars and clamps!</p>
<p><b>Easy bracket 250 kg TUV</b></p> <p>For easy mounting on tubes Ø 50 mm</p> <p>Max. load: 250 kg</p> <p>Colour: Black or Silver</p> <p><i>Ref. AC0001-0250-090</i> (silver) <i>Ref. AC0001-0250-003</i> (black)</p>	 <p>Need more information about this product? Check out our dedicated technical specifications for collars and clamps!</p>
<p><b>Side clamp 250 kg TUV</b></p> <p>For mounting on tube Ø 50 mm</p> <p>Max. load: 250 kg</p> <p>Colour: Black or Silver</p> <p><i>Ref. AC0002-0250-090</i> (silver) <i>Ref. AC0002-0250-003</i> (black)</p>	 <p>Need more information about this product? Check out our dedicated technical specifications for collars and clamps!</p>

JOINTS & MOUNTING BRACKETS



## ▶ Tracks and accessories

JOINTS & MOUNTING BRACKETS	<p><b>Threaded rod</b>                  Composition:                  1 M10 threaded rod                  4 nuts                  3 washers Ø 40 mm                  1 slide nut for 80 x 50 profile</p> <p>Colour: Steel</p> <p>Length: 10 or 15 cm</p> <p><a href="#">Ref. RA8050-0550-140</a> (10 cm)  <a href="#">Ref. RA8050-0551-140</a> (15 cm)</p>			
	<p><b>Brackets</b>                  For use with our threaded rod for wall-mounting</p> <p>Standard lengths:                  200 mm, 300 mm, 500 mm                  (Other dimensions available to order)</p> <p>Colour: Black or Steel</p>		<p>Need more information about this product?                  Check out our dedicated technical specifications for brackets!</p>	
MOTORS	<p><b>Track Motor 750</b>  <i>(Recommended motor for Heavy Track)</i></p> <p>Power: 750 W</p> <p>Max. weight for walk-along curtains:                  500 kg</p> <p>Max. speed: 1 m/s</p> <p>Variable speed</p> <p>Electric disengagement</p> <p><a href="#">Ref. RA0000-0750-003</a></p>		<p>Need more information about our motor accessories?                  Check out our dedicated technical specifications for Track Motor 750!</p>	
	<p><b>Track Motor 250 + Track Remote WD</b>  <i>(Motor compatible with Heavy Track)</i></p> <p>Power: 250 W</p> <p>Max. weight for walk-along curtains:                  250 kg (straight track)                  125 kg (curved track)</p> <p>Max. speed: 0.6 m/s</p> <p>Fixed speed</p> <p>Included:                  Main control unit (on-stage control)</p> <p><a href="#">Ref. RA0000-0250-003</a></p>		<p>Need more information about our motor accessories?                  Check out our dedicated technical specifications for Track Motor 250!</p>	

# Heavy Track

## ▶ Tracks and accessories

<p style="writing-mode: vertical-rl; transform: rotate(180deg);">MOTOR ACCESSORIES</p>	<p><b>Endstop limit striker</b> For motors</p> <p><i>Ref. RA8050-0150-003</i></p>	
<p style="writing-mode: vertical-rl; transform: rotate(180deg);">MISCELLANEOUS ACCESSORIES</p>	<p><b>Black PES curtain rope</b> Ø 8 mm</p> <p>Pre-stretched</p> <p>For manual cord installation</p> <p><i>Ref. ADP08-003-M</i></p>	
<p><b>Black Kevlar curtain rope</b> Ø 8 mm</p> <p>Pre-stretched</p> <p>For motorised cord installation</p>		
<p><b>M10 slide nut</b></p> <p>Slide nut to insert and lock different accessories in the Heavy Track profile</p> <p><i>Ref. RA8050-0910-140</i></p>		

NOTE: All dimensions provided are in metrics.

### CONTACT OUR EXPORT TEAM

+33 (0)6 23 21 50 28



[export@azur-scenic.com](mailto:export@azur-scenic.com)

The information in this document provides generic values that describe only the standard technical specifications and chemical composition of the products concerned. No guarantee is offered. Any images are non-contractual. The names of the colours are given for information purposes only and do not guarantee a specific colour.